



# KEFIAT MADARAN ARMAN NOVIN (KAMAN)

ENGINEERING &  
KNOWLEDGE-BASED COMPANY

## KAMAN COMMERCIAL EMI FILTER Part Number: **KF-CT4A-270R**



### Features and Benefits

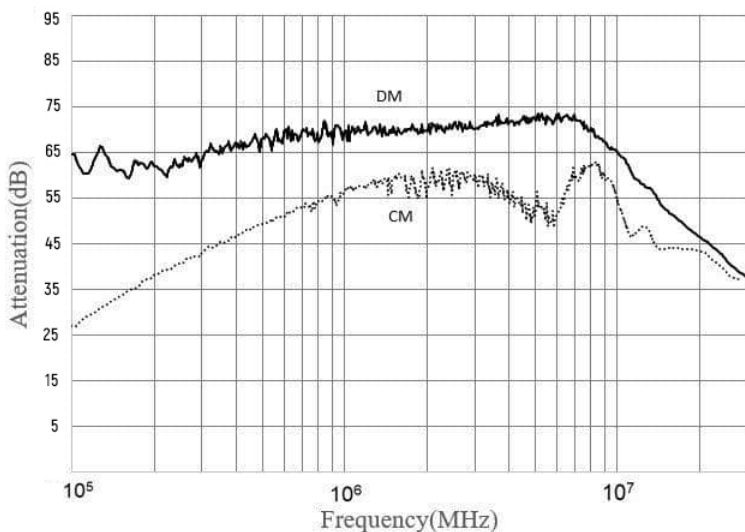
- Significant attenuation of CM/DM noise in different frequency ranges
- The proper arrangement of components results in an efficient, compact, lightweight and cost-effective filter.
- Comes with a one-year warranty

### Product Identification

#### KF-CT4A-270R

- **KF:** Kaman Filter
- **C:** Commercial Products Without Standards
- **T:** Three phase products
- **4:** Number of Lines (3,4: With Null)
- **A:** Product Performance (A: Excellent, B: Good, C: Average, D: Poor)
- **270:** Rated current (1,3,6,8,10,16,20,30,45,60,270)
- **R:** Terminal type (Stud type (S), Phoenix type (F), Power type (P), Rail type (R))

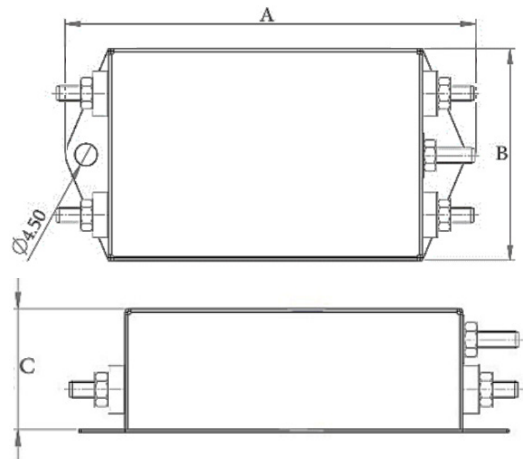
### Attenuation Characteristics



### Technical specification

Phase	Three (T)
Rated Voltage	380VAC
Rated Current	270A
Operating Frequency	50/60Hz
Attenuated Frequency Range	0.1 to 30MHz
Leakage Current	1.2 mA
Operating Temperature	-10 to +70 .C
Weight	24000 gr
I/O Connection	Rail type (R)

### Mechanical Data



Part Number:	C	B	A
KF-CT4A-270R	200	350	560