



# KEFIAT MADARAN ARMAN NOVIN (KAMAN)

ENGINEERING &  
KNOWLEDGE-BASED COMPANY

## KAMAN COMMERCIAL EMI FILTER Part Number: KF-CWA-1S



### Features and Benefits

- Significant attenuation of CM/DM noise in different frequency ranges
- The proper arrangement of components results in an efficient, compact, lightweight and cost-effective filter.
- Comes with a one-year warranty

### Product Identification

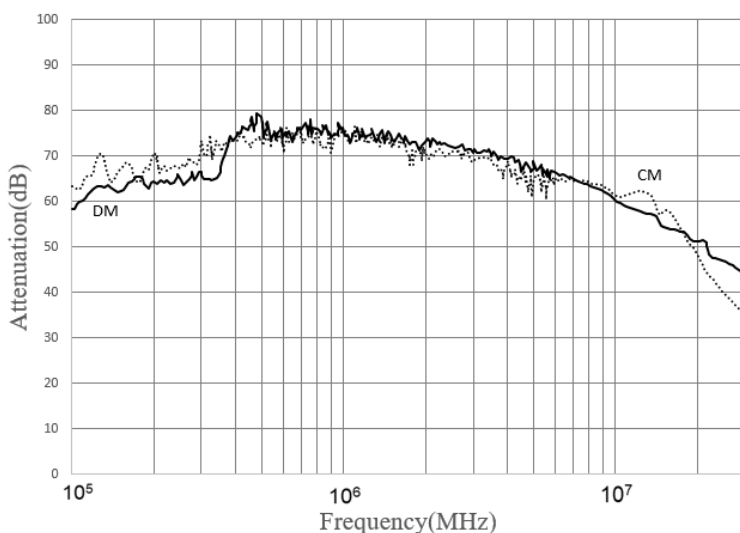
#### KF-CWA-1S

- **KF:** Kaman Filter
- **C:** Commercial Products Without Standards
- **W:** Low (L), High (H) or Wideband (W) cutoff freq.
- **A:** Product Performance (A: Excellent, B: Good, C: Average, D: Poor)
- **1:** Rated current (1,3,6,8,10,16,20,30,45,60)
- **S:** Terminal type (Stud type (S), Phoenix type (F), Power type (P), Rail type (R))

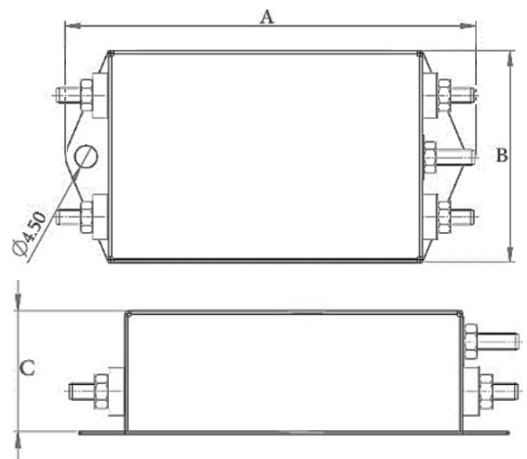
### Technical specification

|                            |               |
|----------------------------|---------------|
| Phase                      | Single (S)    |
| Rated Voltage              | 250VAC        |
| Rated Current              | 1A            |
| Operating Frequency        | 50/60Hz       |
| Attenuated Frequency Range | 0.1 to 30MHz  |
| Leakage Current            | 0.6 mA        |
| Operating Temperature      | -10 to +70 .C |
| Weight                     | 140 gr        |
| I/O Connection             | Stud type (S) |

### Attenuation Characteristics



### Mechanical Data



|              |    |    |    |
|--------------|----|----|----|
| Part Number: | C  | B  | A  |
| KF-CWA-1S    | 30 | 35 | 65 |